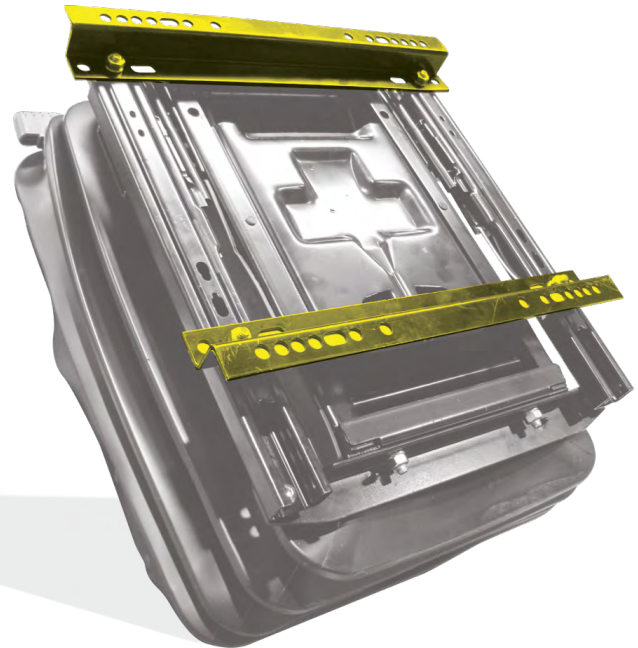
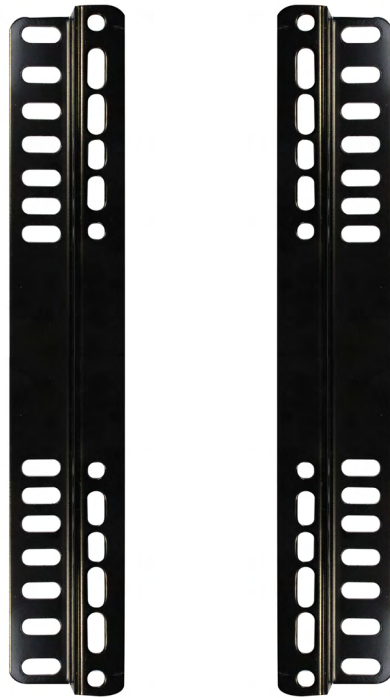


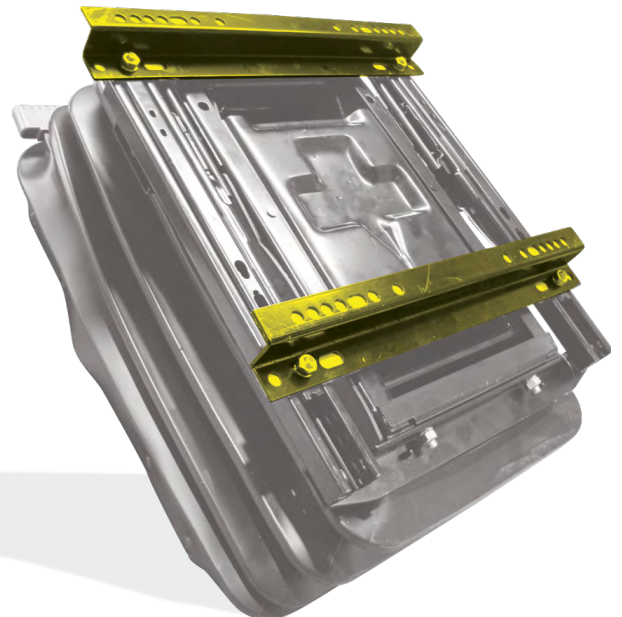
# Z BAR INSTALLATION GUIDE



The pictures to the right are 2 examples of the typical way that “Z” Bars mounting brackets are installed.

The installer is not limited to these mounting examples, these are just to be referred to as a guide.

The installer can use any of the mounting holes located on the “Z” Bars, Slide Rails and/or seat bottom to obtain the desired mounting pattern.



SCAN FOR  
GUIDES



Guides also available at:  
<https://www.ultraseat.com/downloads>

#81059A