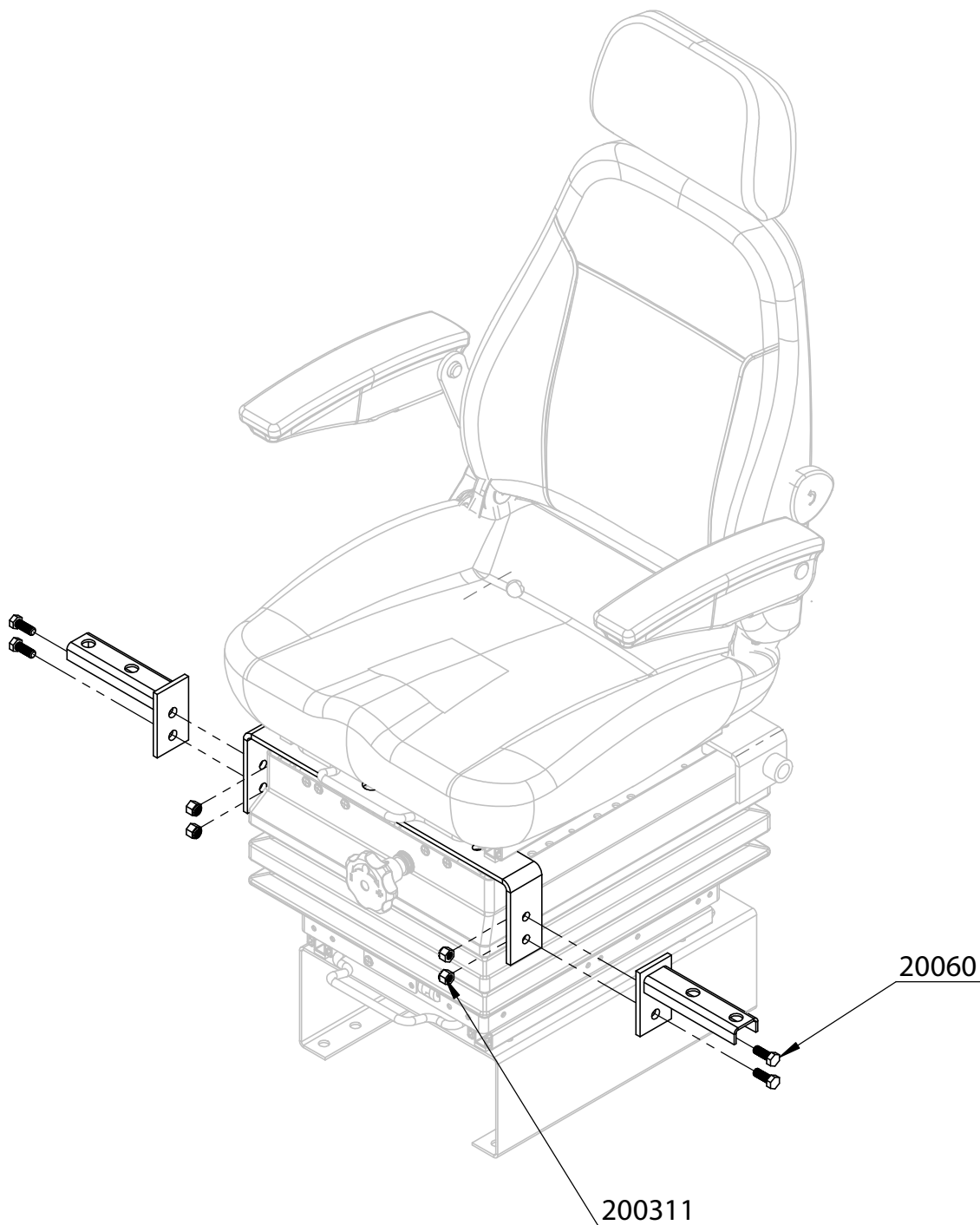


JD1 INSTALLATION GUIDE

APPLIES TO MODELS
T773 JD1



SCAN FOR
GUIDES



Guides also available at:
<https://www.ultraseat.com/downloads>

Part# 580371

