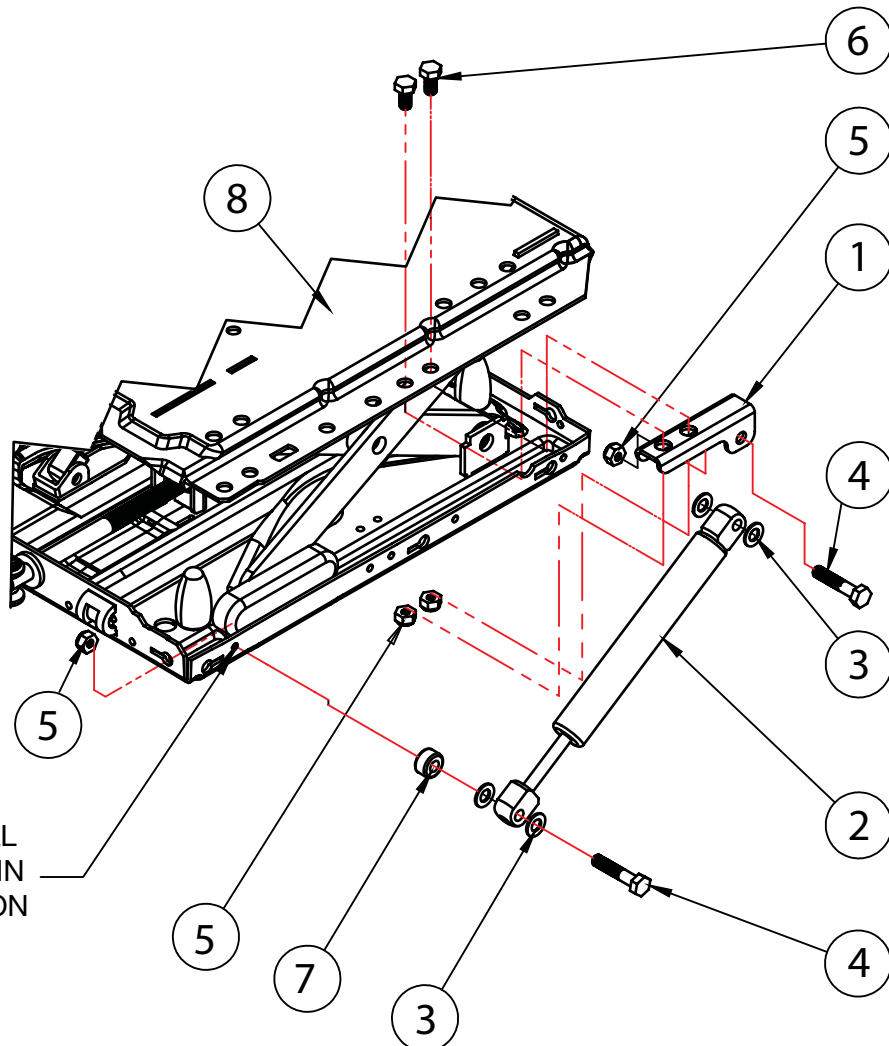


# ADDITIONAL DAMPER

## S032 - INSTALLATION GUIDE

Parts Required for Installation			
Item #	Part #	Description	Qty.
1	330-260	Damper Bracket	1
2	870-300	Damper	1
3	200-264	Washer	4
4	200-150	Long Bolt	2
5	200-216	Nut	4
6	200-156	15mm M8 Bolt	2
7	200-210	3/8" Spacer	1
8	N/A	S032 Suspension	N/A

For this installation, you will need:  
 1 - Socket Wrench with 1/2" Socket  
 1 - 1/2" Wrench  
 1 - Utility Knife



NOTE: DRILL  
 OUT HOLE IN  
 SUSPENSION  
 TO 11/32".

SCAN FOR  
 GUIDES



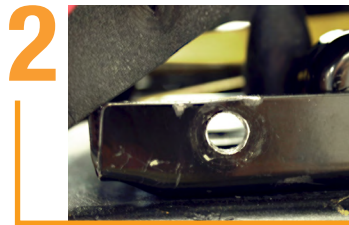
Guides also available at:  
<https://www.ultraseat.com/downloads>

#870300

# ADDITIONAL DAMPER S032 - INSTALLATION GUIDE



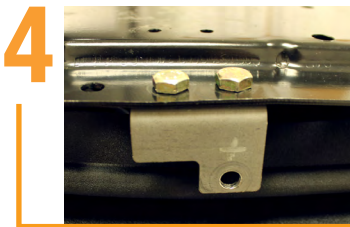
**1** While facing the suspension, cut a 1" x 1" access hole in the bottom left corner of the suspension boot on the right hand side. Again, make sure you are facing the front of the suspension. This will allow you to pull the damper shaft through the boot to mount to the lower part of the suspension.



**2** Lift suspension boot in same corner as in Step 1 and drill to widen the existing hole to 1 1/32" diameter. It's the 1st hole back from the front of the suspension



**3** Mount the supplied bracket to holes 5 & 6 on the top plate on the right hand side of the suspension, when facing the front of the suspension.



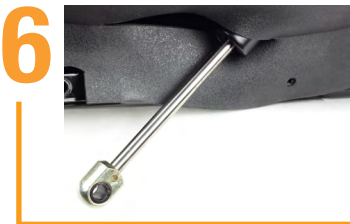
**4** Align the top of the supplied bracket with the underside of holes 5 & 6 and mount using 2 x 200-156 M8 Bolts and 2 x 200-216 Lock Nuts provided.



**5** To install the cylinder side of the damper to the bracket you will use 1 x 200-150 Long Bolt, 2 x 200-264 Washers and 1 x 200-216 Lock Nut.

Next, slide the cylinder side of the damper in place and insert the bolt just enough to hold it in place. Now take the second washer and slide it between the damper and bracket then insert the bolt all the way through and secure with the lock nut. Your assemble should look like the following picture when complete.

Start by placing a washer inside the bracket and against the first hole. Insert the long bolt just enough to hold the washer in place.



**6** Place the damper inside the suspension boot and pull the damper shaft through the hole you cut in Step 1.



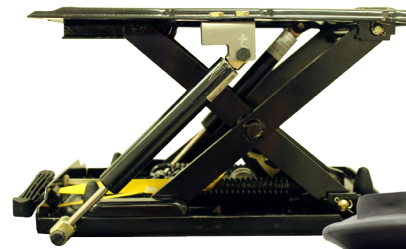
**7** Prepare the damper shaft to be mounted into the suspension base with the following hardware. 1 x 200-150 Long Bolt, 2 x 200-264 Washers, 1 x 3/8" Spacer and 1 x 200-216 Lock Nut. When prepared, it should look like the following picture.



**8** Next insert the end of the bolt into the hole on the suspension boot.



**9** Compress the Damper making sure the bolt doesn't slip out of the boot and insert it into the hole you widened in Step 2. Secure the bolt on the inside with the last 200-216 Lock Nut.



**Completed Installation without Boot**

**Completed Installation with Boot**



SCAN FOR GUIDES



Guides also available at:  
<https://www.ultraseat.com/downloads>

#870300