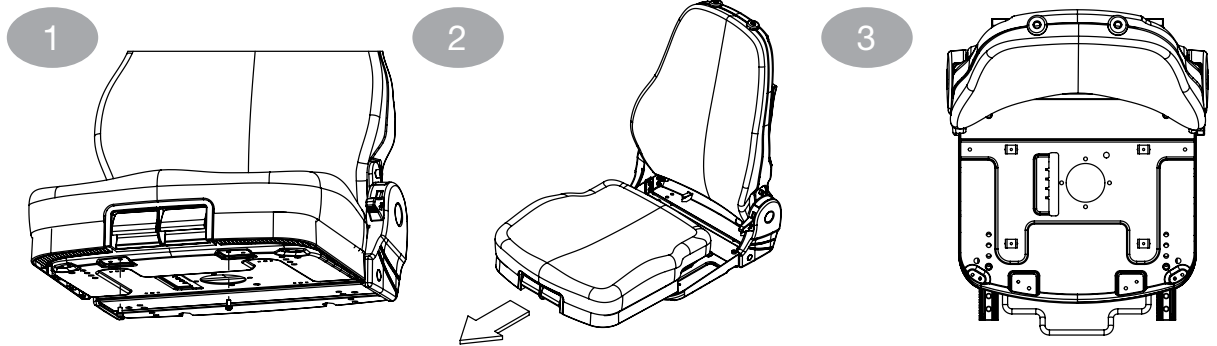


CAT 7 INSTALLATION GUIDE

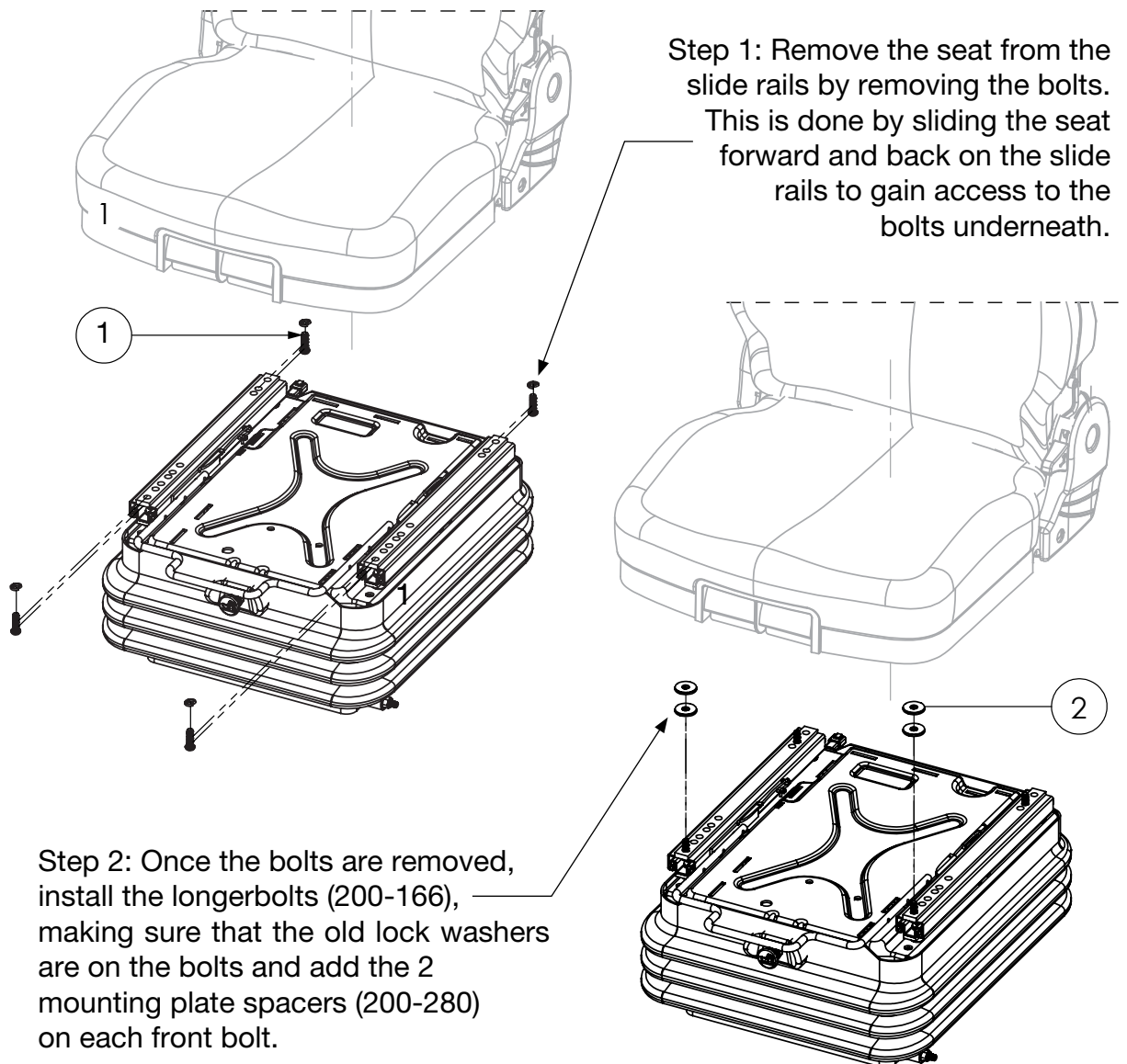
APPLIES TO MODELS
J778C CAT7



TEMPORARILY REMOVE SEAT CUSHION TO ACCESS FRONT HOLES IN SLIDE RAILS .

Notes: It may be necessary to remove the seat cushion to help line up the bolts. If so, follow the steps outlined below with the reference images above.

1. Remove the 2 small screws in the bottom of the seat. These stop the seat from sliding to far forward that it would come off the track & need to be removed.
2. Slide the seat forwards until it reaches its furthest point and then lift off the cushion.
3. You will now have access to the bolt locations.
4. For reinstallation, repeat the steps in reverse order. Make sure to pull up on the seat sliding lever when reattaching the cushion as it slides on much easier this way.



Step 1: Remove the seat from the slide rails by removing the bolts. This is done by sliding the seat forward and back on the slide rails to gain access to the bolts underneath.

Step 2: Once the bolts are removed, install the longer bolts (200-166), making sure that the old lock washers are on the bolts and add the 2 mounting plate spacers (200-280) on each front bolt.

SCAN FOR GUIDES



Guides also available at:
<https://www.ultraseat.com/downloads>

Part# 585399C24