

Universal Mounting Plates

INSTALLATION GUIDE - NARROW MOUNTS

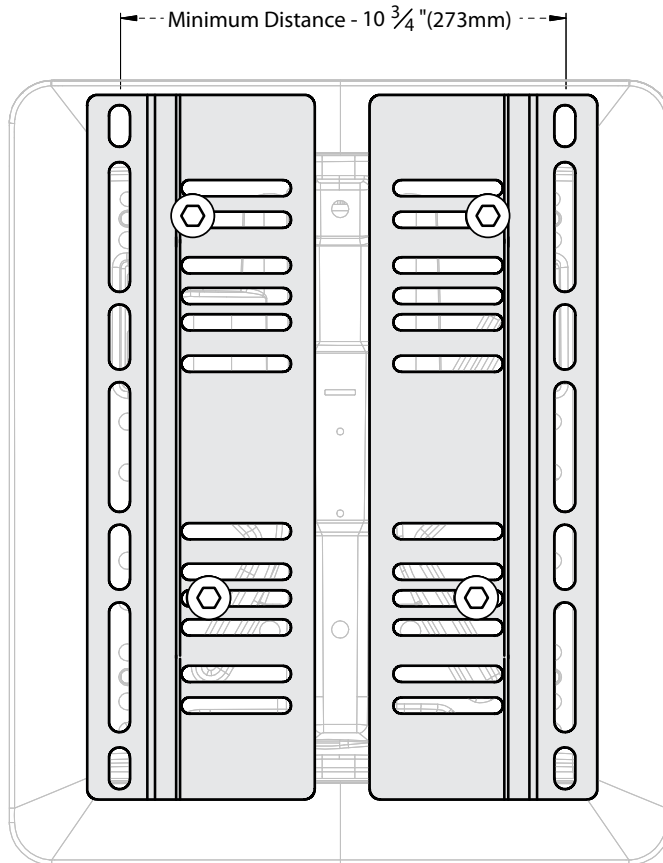
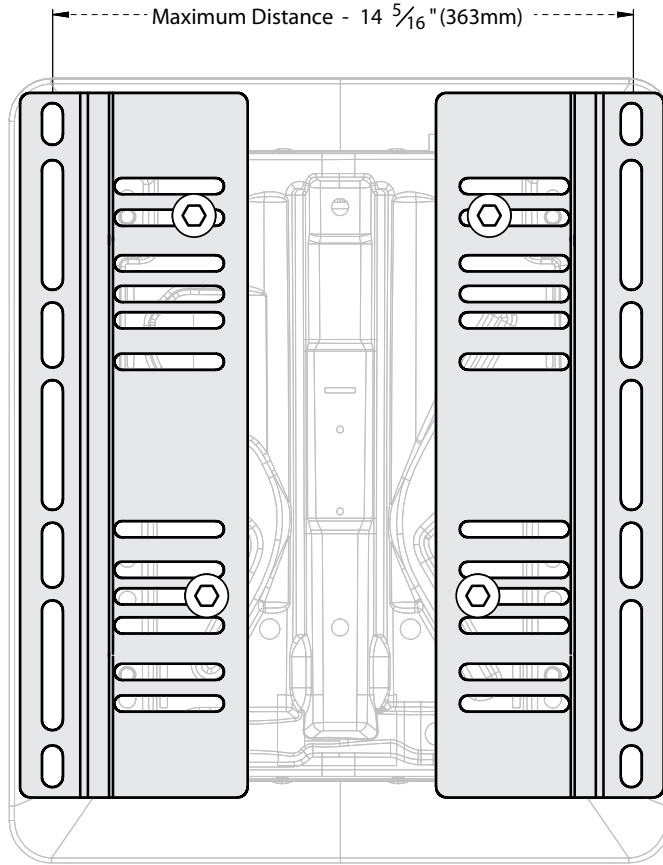
SCAN FOR GUIDES



Guides also available at:
<https://www.ultraseat.com/downloads>

Part# 88059

APPLIES TO MODELS
S073 / S076 / S078

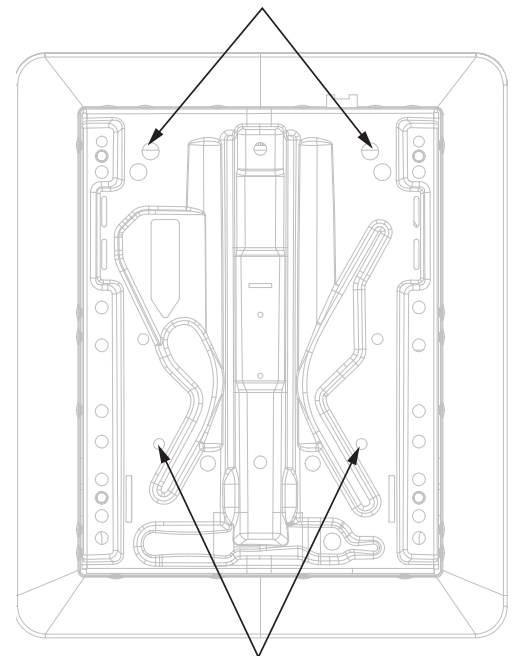


NOTES:

NARROW MOUNT REQUIRES ADDITIONAL WASHERS AND REMOVAL OF TWO BOLTS FROM BOTTOM OF SUSPENSION TO USE WELD NUTS PRESENT.

S078 SUSPENSION SHOWN BUT SAME DIMENSIONS FOR S076.

FRONT MOUNTING LOCATION. REQUIRES 2X ADDITIONAL 200280 SPACERS FOR CLEARANCE (3X IF MOUNT IS LESS THAN 12") TO MOUNT FLUSH, AND 1X DUE TO OVERSIZED HOLE FOR NUT ON INSIDE OF SUSPENSION. FOR EACH SIDE .



REQUIRES REMOVAL OF 2X SOCKET CAP BOLTS FOR ACCESS TO WELD NUTS. REQUIRES 4X 200264 WASHERS (ADDITIONAL 1X200280 FOR LESS THAN 12") FOR CLEARANCE TO MOUNT FLUSH FOR EACH SIDE .